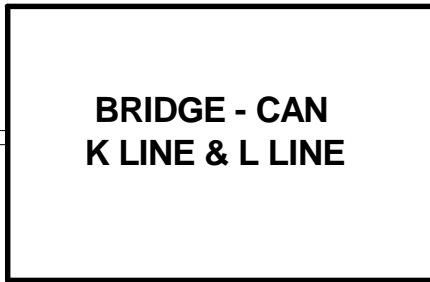


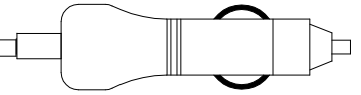
K line & L line ECU bridge pinout



binder 5p female connector

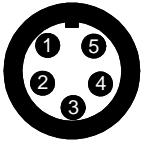


OBD2 connector



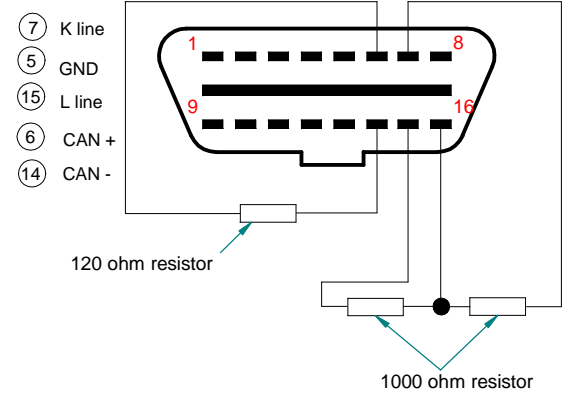
12V Plug
(Fuse 2A - 6.3x32mm)

binder 5 pin female connector - pinout solder view

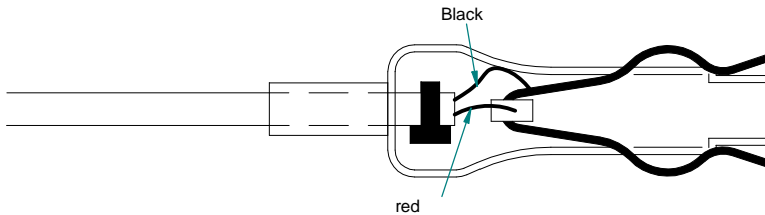


- ① CAN +
- ② GND
- ③ + Vb
- ④ CAN -
- ⑤ + Vbatt

"OBD 2" 16 pin connector pinout solder view



12V Plug connections



	Rif. / Ref.	Q.tà / Q.ty	Materiale / Material		N. articolo / Item N.
	Progettato da / Designed by	Cont. da / Ckd. by	Approvato da / Approved by		Data / Date
	Titolo / Title		Nome file / File name		Scala / Scale
	K line & L line ECU bridge pinout		N. disegno / Drawing N.		Rev. / Rev.
					Foglio / Sheet